

AKASO

BRAVE 6 PLUS

A C T I O N C A M E R A



USER MANUAL

V39

Contents

What's in the Box	01	>>
Your Brave 6 Plus	02	>>
Preview Screen	03	>>
Getting Started	05	>>
Overview of Modes	08	>>
Customizing Your Brave 6 Plus	10	>>
Connecting to the AKASO GO App	19	>>
Playing Back Your Content	21	>>
Offloading Your Content	23	>>
Maintaining Your Camera	24	>>
Battery Maintenance	25	>>
Remote Control	27	>>
Mounting Your Camera	30	>>
Contact Us	33	>>

What's in the Box



Brave 6 Plus
x1



Waterproof
Housing x1



Battery Charger
x1



Battery
x2



USB Cable
x1



Remote Control
x1



Remote Control
Strap x1



Protective
Backdoor x1



Clip 1
x1



Clip 2
x1



Buckle Mount
x1



J-Hook Mount
x1



A Mount
x1



C Mount
x1



D Mount
x1



F Mount
x1



E Mount
x1



H Mount
x1



Spanner
x1



Helmet Mount
x2



Bandage
x4



Tether
x5



Lens Cloth
x1



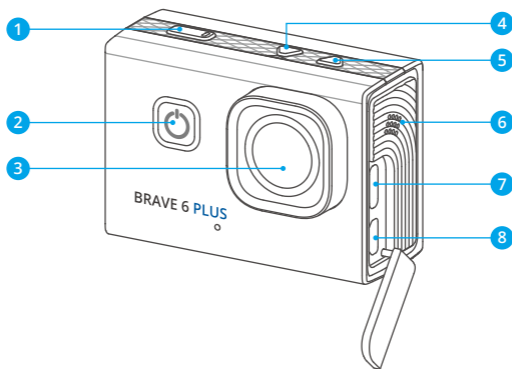
Double-Sided
Adhesive Tape x2



Quick Start
Guide x1



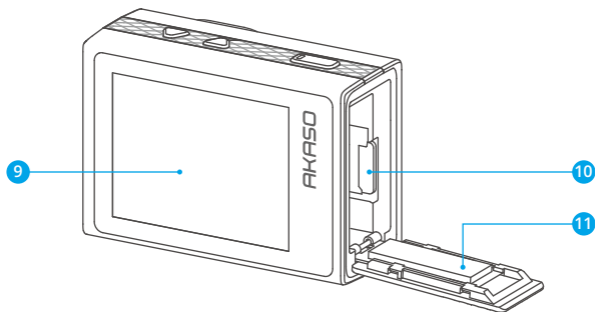
Your Brave 6 Plus



- | | |
|---------------------------|--------------------------|
| 1 OK/Shutter/Wifi Button | 5 Down Button |
| 2 Power /Mode/Exit Button | 6 Speaker |
| 3 Lens | 7 USB/ External Mic Port |
| 4 Up Button | 8 Micro HDMI Port |

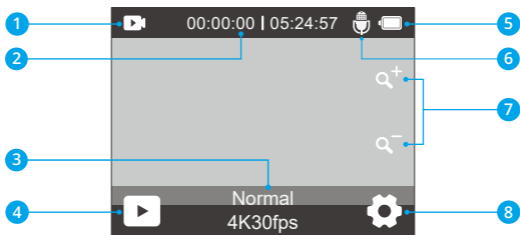
Note: The camera will not record sound when it is in the waterproof case.





- 9 Touch Screen
- 10 MicroSD Card Slot
- 11 Battery Door

Preview Screen



- | | |
|--------------------------------|--------------------------|
| 1 Mode | 5 Battery Status |
| 2 Recording Time | 6 Audio Recording |
| 3 Current Shooting Mode | 7 Zoom Level |
| 4 Playback | 8 Settings |



Getting Started

Welcome to your AKASO Brave 6 Plus! To capture videos and photos, you need a memory card (sold separately).

Memory Cards

Please use brand name memory cards that meet these requirements:

- U3
- Capacity up to 128G

Note:

- (1) Please format the memory card first in this camera before using. To keep your memory card in good condition, reformat it on a regular basis. Formatting erases all your content, so please make sure to offload your photos and videos before formatting.
- (2) FAT32 format memory card stops recording when the file size reaches to 4GB, and starts to record again on a new file.

Powering on and off

To power on:

To turn on the camera, press and hold the Power button for 3 seconds. You'll hear a beep and see the status light come on. Once information appears on the display screen, you'll know that your camera is powered on.

To power off:

To power off the camera, press and hold the Power button for 3 seconds. You will hear a beep and the status light will turn off.

Switching shooting modes

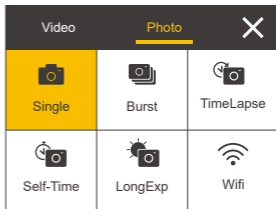
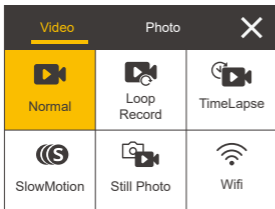
To switch shooting modes, enter the mode menu, then tap the "Video" or "Photo" option to access the video or photo mode menu. You will be able to select the desired video or photo mode from the available options. On the mode menu, you can also press the Up or Down button to switch modes.



Entering the mode menu

To enter the mode menu, first make sure the camera is on the preview screen, then tap the mode icon at the bottom of the screen, or press the Power button.

To exit the mode menu, simply tap the "X" icon in the upper right corner.



Turning Wifi on or off

To turn on Wifi, first turn on your camera, then press and hold the Wifi button, or tap the Wifi icon in the mode menu. To turn off Wifi, simply press the Wifi button again.

Zooming in or out

To zoom in or out, first make sure the camera is on the preview screen. Then, press the Up button to zoom in, and press the Down button to zoom out. You can also tap the "+" or "-" icon to zoom in or out. The Brave 6 Plus can zoom up to 8X.

Entering the settings screen

To enter the settings screen, first make sure that the camera is on the preview screen. Then, press and hold the Up button or tap the Settings icon in the bottom right corner. Now you're free to configure the photo, video, and system settings respectively.

Using the shutter button

In Photo or Video mode, press the Shutter button to capture photos or start video recording. To stop recording in Video mode, press the Shutter button again.

Entering the playback screen

To enter the playback screen, first make sure that the camera is on the preview screen. Then, press and hold the Down button or tap on the Playback icon in the bottom left corner of the screen. You will be able to access the video or the photo set to playback or delete files. To exit the playback screen, simply tap the Back icon in the upper right corner.

Indicators

Working Indicator

The working indicator will remain blue when the camera is working. It will flash once while taking photos, and remain flashing while recording videos.

Charging Indicator

The charging indicator will remain red when the camera is charging. It will black out when fully charged.

Wifi Indicator

The Wifi indicator will flash blue when Wifi is enabled, and remain on when Wifi is connected.

Overview of Modes

There are 11 modes of this camera: Normal, Loop Record, Time Lapse Video, Slow Motion, Still Photo, Single, Burst Photo, Time Lapse Photo, Self-Time, Long Exposure, and Wifi.

Normal Video Mode

The camera is in Video mode by default when it's turned on. In Video Mode, when you press the Shutter button, the camera starts recording videos. To stop recording, simply press the Shutter button again. You can tap the "+" or "-" icon to adjust the zoom level.

Loop Record Mode

In Loop Record mode, when you press the Shutter button, the camera will record a loop video of the set length.

Time Lapse Video Mode

In Time Lapse Video Mode, when you press the Shutter button, the camera will record videos at 30 frames per second, using images captured at specific intervals to create a seamless and high-quality time-lapse effect.

Slow Motion Mode

The camera is capable of recording videos at specific resolutions and zoom levels. For instance, if you select the option 2.7K 2X to capture a video that lasts for a minute, the camera will generate a 2-minute slow-motion video at 2.7K resolution.

Still Photo

In this mode, when you press the Shutter button, the camera will grab a still image at the set interval during video recording. The photo will be saved to the photo file.



Burst Photo

In this mode, when you press the Shutter button, the camera will continuously capture 3, 5, or 10 photos per second.

Time Lapse Photo Mode

In this mode, when you press the Shutter button, the camera will take a series of photos at the set interval.

Self-Time Mode

In this mode, when you press the Shutter button, the camera will start to count down, then take a photo after the set countdown.

Long Exposure Mode

In this shooting mode, the camera will continuously capture photos at the set interval until the exposure time finishes. This mode works well for capturing photos in various lighting conditions, including low-light environments, bright settings, and even underwater scenes.

Wifi Mode

When Wifi is turned on, the camera will enter Wifi mode and display the Wifi information within seconds.

Customizing Your Brave 6 Plus

Video Settings

1. Resolution

4K 30fps, 2.7K 60fps, 2.7K 30fps, 1080P 120fps, 1080P 60fps, 1080P 30fps, 720P 240fps, 720P 120fps, 720P 60fps (Default setting: 4K 30fps)

This camera is capable of recording video up to 4K30fps, with higher resolution offering greater clarity and detail due to the increased number of pixels. However, higher resolution video also results in larger file sizes.

Note: Capturing high-resolution or high-fps videos in low-temperature scenes can consume more power.

2. Image Stabilization

Off/On (Default setting: Off)

Electronic Image Stabilization (EIS) 2.0 effectively reduces the effect of the camera shakes, allowing for smooth videos. This feature is suitable for use in riding, skiing, and handheld scenes.

Note: Image stabilization will be disabled when the video resolution is set to 1080P120fps, 720P240fps, and 720P120fps. It will also be disabled when Loop Recording Time, Time Lapse Interval, Still Photo Time, Distortion Calibration, and Slow Motion are enabled.

3. Loop Recording Time

1Min/3Min/5Min/10Min (Default setting: 1Min)

This option allows you to set the length of videos captured in Loop Recording mode. For instance, if you set Loop Recording to "3Min", the camera will save videos every 3 minutes. When the memory is full, new video files will overwrite the old ones to ensure continuous recording.

Note: Loop Recording Time works in Loop Record mode only.



4. Time Lapse Interval

1Sec/3Sec/5Sec/10Sec/30Sec/1Min (Default setting: 1Sec)

This option enables you to specify the frequency at which the video frames are captured and compiled. The camera will capture series of videos at the set interval, making it ideal for taking photos in dynamic or changing scenes, such as clouds, stars, sunsets, and more.

Note: Time lapse video is recorded without audio. Time Lapse Interval works in Timelapse Video mode only.

5. Slow Motion

2.7K 2X, 1080P 4X, 1080P 2X, 720P 8X, 720P 4X, 720P 2X (Default setting: 2.7K 2X)

You can choose the resolution and zoom level before you create slow motion movies. When Slow Motion is enabled, the camera can record video at a higher frame rate and then plays it back at a lower speed, typically 30 frames per second.

Note: Slow Motion works in Slow Motion mode only. It will not show in the settings menu when other modes are enabled.

6. Still Photo Time

3Sec/5Sec/10Sec/30Sec (Default setting: 3 Sec)

This option enables you to specify the frequency at which the photo is captured during video recording.

Note: This option works in Still Photo mode only.

7. Microphone

Built-in/External (Default setting: Built-in)

You have the option to select either a built-in microphone or an external one.

Note: This option will be disabled in Slow Motion mode.



8. Audio Record

On / Off (Default setting: On)

When Audio Record is disabled, the camera will record video without audio. You can choose to turn it on or off.

Note: Audio Record will be disabled when the camera is in Slow Motion and TimeLapse modes.

9. Exposure Value

-2, -1.7, -1.3, -1.0, -0.7, -0.3, 0, 0.3, 0.7, 1.0, 1.3, 1.7, 2 (Default setting: 0)

By default, your camera uses the entire image to determine the appropriate exposure level. However, Exposure lets you select an area that you want the camera to prioritize when determining exposure. This setting is particularly useful in shots where an important region might otherwise be over- or underexposed.

The camera will display changes in the image the instant you change the setting. It will resume using the entire image to determine the appropriate exposure level if you switch modes.

10. Meter

Center / Average / Spot (Default setting: Average)

This option allows you to set the metering mode for different scenes. You can choose a desired meter mode according to the scene.

Photo Settings

1. Photo Resolution

20MP / 16MP // 12MP / 8MP (Default setting: 20MP)

This camera is capable of capturing 20MP photos, with higher resolution offering greater clarity and detail due to the increased number of pixels. However, higher resolution photo also results in larger file sizes.

2. Output Format

JPEG/JPEG+DNG (Default setting: JPEG)

Output Format decides the photo's output formats including JPEG and JPEG+DNG. DNG stands for Digital Negative, a lossless raw image format that preserves image data without compression or loss. Choosing DNG results in larger photo file sizes, but ensures superior image quality and protection against data loss.

Note: Output Format will be disabled when the camera is in Burst Photo mode.

3. Self-Timer

1Sec/3Sec/5Sec/10Sec/30Sec (Default setting: 3Sec)

This option lets you set the countdown time in Self-time mode. The camera will take a photo after the set countdown time.

Note: This option works in Self-Time mode only.

4. Time Lapse Photo

3Sec/5Sec/10Sec/30Sec/1Min (Default setting: 3Sec)

This option allows you to specify the frequency at which photos are captured and compiled in Time Lapse Photo mode. The camera will take a series of photos at the set interval.

Note: This option works in Timelapse Photo mode only.

5. Burst Photo

3shots/5shots/10shots (Default setting: 3shots)

This option allows you to set the number of photos to be taken in Burst Photo mode.

Note: This option works in Burst Photo mode only.

6. Long Exposure

1Sec/2Sec/5Sec/8Sec/30Sec/60Sec (Default setting: 1Sec)



This option helps you set the exposure time in Long exposure mode. The camera will taking photos until the set time comes to the end.

Note: This feature is available in Long Exposure mode only.

7. Exposure Value

-2, -1.7, -1.3, -1.0, -0.7,-0.3, 0, 0.3, 0.7, 1.0, 1.3, 1.7, 2 (Default setting: 0)

By default, your camera uses the entire image to determine the appropriate exposure level. However, Exposure lets you select an area that you want the camera to prioritize when determining exposure. This setting is particularly useful in shots where an important region might otherwise be over-or underexposed. The camera will display changes in the image the instant you change the setting. It will resume using the entire image to determine the appropriate exposure level if you switch modes.

8. ISO

Auto / 100 / 200 / 400 / 600 / 800 / 1600 / 3200 (Default setting: Auto)

ISO determines the camera's sensitivity to light and creates a trade-off between brightness and resulting image noise. Image noise refers to the degree of graininess in the image. In low light, higher ISO values result in brighter images, but with greater image noise. Lower values result in lower image noise, but darker images.

9. Meter

Center / Average / Spot (Default setting: Average)

This option allows you to set the metering mode for different scenes. You can choose a desired meter mode according to the scene.

10. Photo Quality

Fine / Normal / Economy (Default setting: Fine)

This option determines the level of detail in your photos.



Camera Settings

1. Sounds

Shutter: On / Off (Default setting: On)

Boot-up: On / Off (Default setting: On)

Beep: On / Off (Default setting: On)

Volume: You can turn the shutter, boot-up, and beep sounds on or off, and adjust the volume of the camera in this setting.

2. Angle

Super Wide / Wide / Medium / Narrow (Default setting: Super Wide)

The angle refers to how much of the scene (measured in degrees) can be captured through the camera lens. Super Wide Angle captures the largest amount of the scene, while Narrow Angle captures the least.

3. Voice Control

Off / On / Instructions (Default setting: Off)

When Voice Control is enabled, you can order your camera to do simple tasks using the supported voice commands. For more details about the voice commands, please tap on the "Instructions" option.

Instructions: AKASO video start	AKASO Wifi on	AKASO take photo
AKASO stop video	AKASO Wifi off	AKASO power off

4. Distortion Calibration

Off / On (Default setting: Off)

This setting corrects the fisheye effect that can occur in wide-angle shots, resulting in distortion-free images.

Note: This feature will be disabled when Image Stabilization is enabled.



5. White Balance

Auto/Tungsten/Fluorescent/Daylight/Cloudy (Default setting: Auto)

White Balance captures the objects in photos with accurate color representation in various lighting conditions by adjusting the white balance, making it suitable for use in both warm and cool environments.

6. Filter

Normal/Black&White/Brown/Colorful/Warm/Cold (Default setting: Normal)

You can choose a desired filter to achieve the optimal shooting effect.

7. Diving Mode

On/Off (Default setting: Off)

Diving Mode can compensate for the lack of red light in underwater scenes. Diving Mode is designed to be used in tropical and blue water, optimized for use between 10 and 80 feet.

8. Upside Down

Off/On (Default setting: Off)

This setting determines the orientation of your video or photos to help you prevent upside-down footage.

9. Driving Mode

On/Off (Default setting: Off)

In this mode, the camera will automatically record video and save the video file when you connect it to the cigarette lighter, and start your car engine.

10. Auto Power Off

Off/1 Min/3 Min/5 Min (Default setting: 1 Min)

The camera will automatically power off after a period of inactivity to save battery life.

11. Screen Saver

Off/30Sec/1Min/3Min (Default setting: 1Min)

The display will automatically turn off after a period of inactivity to save battery life. To turn on the display again, press any buttons on the camera.

12. Language

English/Deutsch/Français/Italiano/Español/Português/日本語/Koeran/简体中文/繁體中文/Российский (Default setting: English)

You can choose the system language for your Brave 6 Plus action camera.

13. Date & Time

YYY/MM/DD, MM/DD/YYYY, DD/MM/YYYY (Default setting: MM/DD/YY)

In this setting, you can manually set the date and time for your camera.

14. Date Stamp

Off/Date/Date&Time (Default setting: Date&Time)

A watermark will be added to the video or photo based on your preferred settings. For example, if you choose the Date&Time option, the current date and time will be stamped on your video or photo. Alternatively, you have the option to disable this feature by selecting the Off option.

15. Power Frequency

60 Hz/50 Hz (Default setting: 50 Hz)

Power frequency is also known as the line frequency or mains frequency, it is the frequency of the alternating current (AC) that is used in most electrical power systems around the world. If you live in the northeastern area, please set the power frequency to 60 Hz, meaning the current changes direction 60 times per second. If you live outside this area, set it to 50 Hz.

16. Format Card

Yes/No (Default setting: No)

Before capturing, you need to complete the formatting process. To keep your memory card in good condition, we recommend you reformat it on a regular

basis. Reformatting erases all of your content, so be sure to offload your photos and videos first.

17. Reset

Yes/No (Default setting: No)

This option will reset all the settings to the default values.

18. About

Brand: AKASO **Model:** Brave 6 Plus **Version:** SN-39-XXXXXX-VX

This option allows you to check the brand, model, and firmware version of your camera.

Warm tip: Some functions can not be used at the same time. Please refer to the information below.

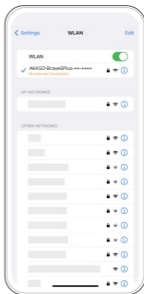
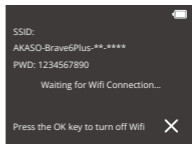
Image Stabilization	Video resolution: 1080P120fps, 720P240fps, 720P120fps
Image Stabilization	Loop Recording Time, Time Lapse Interval, Slow Motion, Still Photo Time, Distortion Calibration
Slow Motion	Video resolution: 4K30fps, 2.7K30fps, 1080P30fps
Slow Motion	Image Stabilization, Loop Recording Time, Time Lapse Interval, Still Photo Time, Audio Record
Still Photo	Loop Recording Time, Time Lapse Interval
Time Lapse Interval	Still Photo Time, Loop Recording Time, Image Stabilization, Audio Record
Time Lapse Photo	Burst Photo, Long Exposure, Self-Timer, Audio Record
Burst Photo	Time Lapse Photo, Output Format, Self-Timer Long Exposure
Self-Time	Time Lapse Photo, Burst Photo, Long Exposure
Long Exposure	Time Lapse Photo, Burst Photo, Self-Timer

Connecting to the AKASO GO App

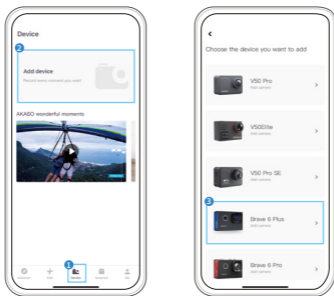
You can control your camera to capture photos and videos using the phone App. To do this, please download and install the AKASO GO App on the App Store or Google Play first. When your camera is connected to the App, you can control it to capture, or change the camera's settings. You can also live preview, playback, download, and edit videos via this App. Please follow the instructions below to connect your camera to the App.

1. Turn on the camera, then press and hold the Power button or tap the Wifi icon in the mode menu to turn on Wifi. The camera will enter Wifi mode and display the Wifi information.
2. Turn on your phone's Wifi to enter the Wifi settings page, find the Wifi SSID in the list and tap on it, then enter the password 1234567890 for connection.

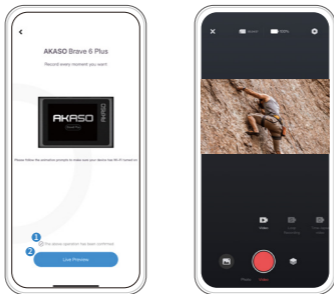
Warm tip: Once the camera Wifi is connected, it will give you a "No Internet Connection" or "Weak Security" notice since your phone's 4G signal is blocked. You can ignore it and continue the app connection.



3. Open the AKASO GO APP, tap "Device"→"Add Device", then pick "Brave 6 Plus" from the list for connection.



4. Tick "The above operation has been confirmed", and tap "Live Preview". Your camera will be connected to the AKASO GO APP.



Playing Back Your Content

You can play back your contents on the camera, your computer, TV, or smartphone. To play back your videos and photos on a computer, you need to transfer these files first. Transferring files also frees up space on your memory for new contents. With this method, the playback resolution depends on the resolution of the device and its ability to play back that resolution.

1. Viewing Files on Your Brave 6 Plus

- (1) Turn on your Brave 6 Plus action camera.
- (2) Press the Down button or tap the Playback icon in the bottom left corner to enter the Playback screen.
- (3) Tap the Video or Photo icon to enter the video or photo set. You will be able to access all the video or photo files.
- (4) Tap the file you want to watch, and it will play.

Note: If your memory card contains a lot of content, it might take a minute to load.

2. Deleting Files on Your Brave 6 Plus

- (1) Enter Playback mode.
Note: If your memory card contains a lot of content, it might take a minute for it to load.
- (2) Tap the Video or Photo icon to enter the video or photo set. You will be able to access all the video or photo files.
- (3) Tap the file you want to delete, and then tap the Delete icon.
- (4) The selected file will be deleted.
- (5) To exit Playback mode, simply tap the Back icon.



3. Deleting Files on AKASO GO App

- (1) Open the AKASO GO App, then connect it to your camera.
- (2) Tap the Album icon in the bottom left corner to view all the videos and photos.
- (3) Tap the video or photo you want to delete, then tap the Delete icon in the upper right corner, and then choose "Delete". The chosen file will be deleted.

Offloading Your Content

1. Offloading Your Content to A Computer

You can transfer your content to a computer via a USB cable or a card reader (sold separately). To transfer files to your computer via a USB cable, connect your camera to the computer using the USB cable. When prompted, select "USB Storage" as your connection preference. To transfer files to the computer using a card reader, insert the memory card into the card reader, then connect the reader to your computer's USB port. After successful transmission, you can transfer the files to your computer or delete selected files using File Explorer.

2. Downloading Your Content to A Smartphone

- (1) Open the AKASO GO App, then connect it to your camera.
- (2) Tap the Album icon in the bottom left corner to see the videos and photos.
- (3) Tap the Select icon in the upper right corner to choose the photo or video you want to download, then tap the Download icon in the upper right corner, and then choose "Download". Wait for the download process to complete and the file will be saved to your phone's photo album.

Note: If you cannot download videos or photos to your iPhone via the app, please enter your phone's Settings page → Privacy → Photos, find "AKASO GO", and select "All photos".



Maintaining Your Camera

Follow these guidelines to get the best performance from your camera:

- (1) For best audio performance, shake the camera or blow on the mic to remove debris from the microphone holes.
- (2) To clean the lens, wipe it with a soft, lint-free cloth. Do not insert foreign objects around the lens.
- (3) Don't touch the lens with fingers.
- (4) Keep the camera away from drops and bumps, which may cause damage to the parts inside.
- (5) Keep the camera away from high temperature and strong sunshine to avoid being damaged.



Battery Maintenance

1. Maximizing Battery Life

If the battery reaches 0% while recording, the camera saves the file and powers off. To maximize battery life, follow these guidelines when possible:

- (1) Please fully charge the battery and put it into the battery slot for capturing when you use the Brave 6 Plus action camera for the first time.
- (2) Capture at lower resolutions frame rates.
- (3) Fully charge the battery before storing the camera.
- (4) We recommend you replace the battery every year for better performance.

Warm tip: Please only use AKASO charging cables and batteries in case of any damage caused to this camera.

2. Battery Handling and Storage

- (1) Please leave the lithium battery stored with the remaining battery of 50-60% if not using it for a long period of time. And we recommend you charge the battery every 3 months and discharge it every 6 months.
- (2) Please do not store the battery with metal objects such as coins, keys, or necklaces. If the battery terminals come close to metal objects, fire may be caused due to a short circuit.
- (3) Keep the battery away from wet or moist places, and protect it from damage caused by squeezing or collision.
- (4) Please do not use or store the battery in high temperatures, such as in direct sunlight or a hot compartment. The battery will heat up, malfunction, or have its service life shortened in these conditions.
- (5) Please do not use or store the battery in low-temperature environments as this will shorten the battery life or cause malfunction to the battery.

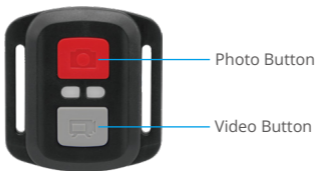


- (6) Please do not put the battery in any places with strong static and magnetic fields, otherwise, the battery protection unit is likely to be destroyed, which causes safety risks.
- (7) Please stop using the battery and remove the battery from the camera or the battery charger at once if it stinks, heats up, discolors, distorts, or if there is anything wrong with the battery while working, charging, or in store.
- (8) Please wrap up the obsolete electrode with insulation paper in case of fire or explosion.
- (9) Please do not throw the battery into the fire in case of an explosion.



Remote

When the camera is turned on, it will be automatically connected to the remote. You can control the camera to take photos or record videos using the remote.



Splashproof only, not waterproof

Video

To record video, first make sure the camera is in Video mode.

To start recording, simply press the gray video button. The camera will emit one beep with the working indicator light flashing.

To stop recording, simply press the gray video button again. The camera will emit one beep with the working indicator light turned off.

Photo

To capture a photo, first make sure the camera is in Photo mode, then press the Photo button. The camera will emit a shutter sound indicating the completion of the shot.

Burst Photo

To capture burst photos, first verify the camera is in Burst Photo mode, then press the Photo button. The camera will emit a shutter sound indicating the completion of the shot.



Time Lapse

To capture time lapse photos or videos, first verify the camera is in Time Lapse mode, then press the Photo or Video button. The camera will emit a shutter sound indicating the completion of the shot.

CR2032 Battery Replacement for Brave 6 Plus Remote

- (1) Use a 1.8mm Phillips tip screwdriver to remove the 4 screws on the back cover of the remote, allowing you to open it.



- (2) Remove another 4 screws on PCB board.



(3) Lift the PCB board and slide out the battery, as shown in the picture.

Note: Do NOT rotate the PCB board to avoid reversing the camera and video button functions.



(4) Install the new battery, keeping the "+" pole facing up.

(5) Install all 4 screws back onto the PCB board.

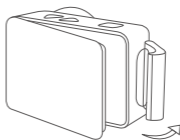
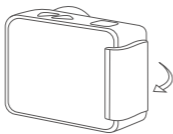


(6) Install all 4 screws back into the cover.

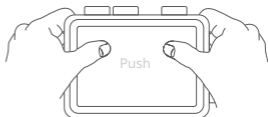
Mounting Your Camera

Attach your camera to helmets, gear and equipment.

Open



Close



Note: Please ensure that you push the waterproof strips of the waterproof case together tightly, making sure there are no gaps between them.







Contact Us

 (888) 466-9222 (US)

 cs@akasotech.com

 www.akasotech.com

For any inquiries about AKASO products, please feel free to contact us. We will respond within 24 hours.

